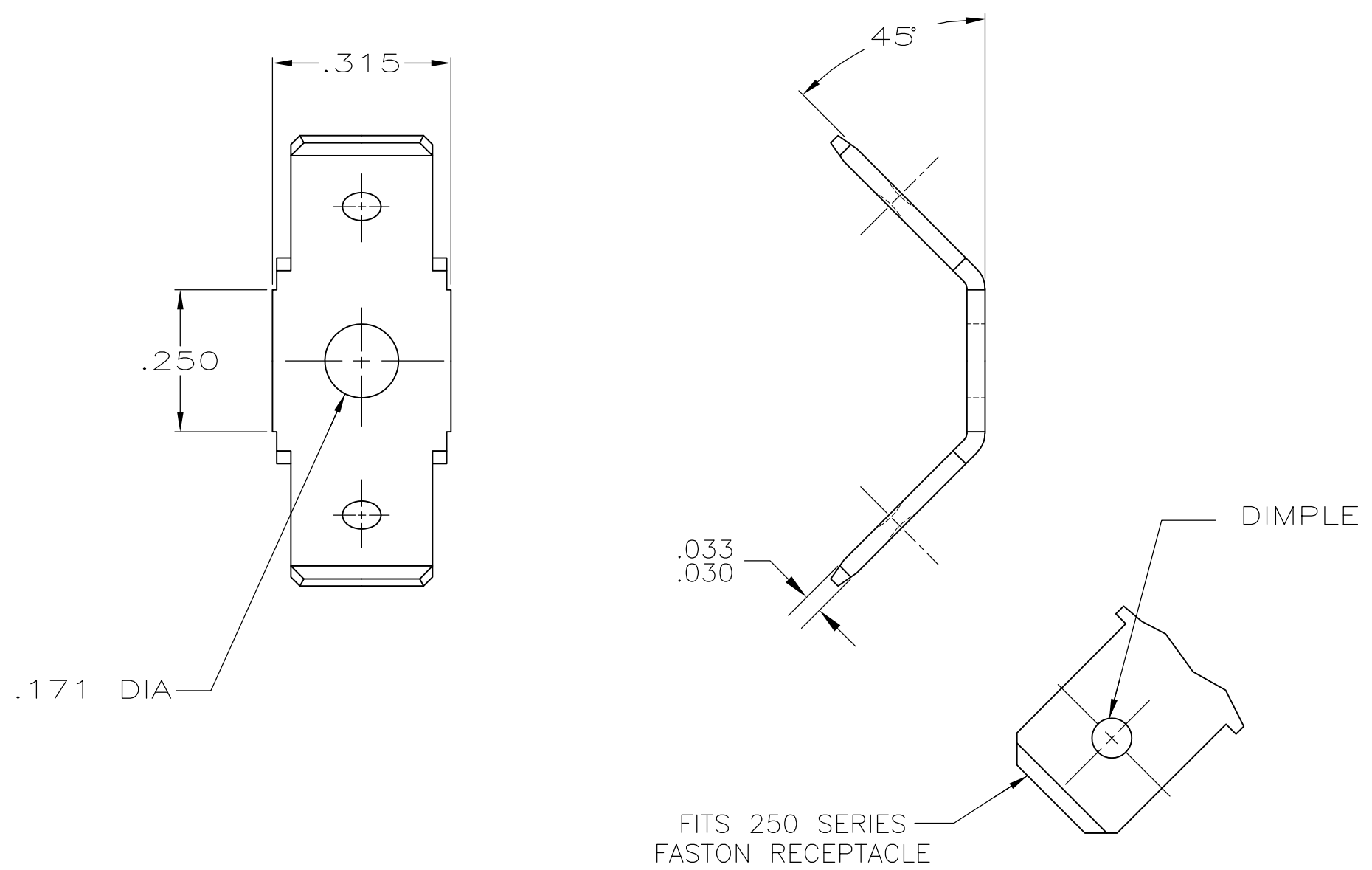



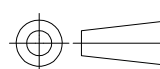
THIS DRAWING IS UNPUBLISHED. RELEASED FOR PUBLICATION
 © COPYRIGHT - By - ALL RIGHTS RESERVED.

LOC	DIST	REVISIONS			
P	LTR	DESCRIPTION	DATE	DWN	APVD
AF	50	AB	REVISED PER ECR-13-011489	07DEC2013	KH PD

1 SUPPLIED IN LOOSE PIECE.



-	-
-	41616
FINISH	PART NUMBER

THIS DRAWING IS A CONTROLLED DOCUMENT.		DWN	26SEP2002	 TE Connectivity	
DIMENSIONS: INCHES		CHK	26SEP2002		
		APVD	26SEP2002		
TOLERANCES UNLESS OTHERWISE SPECIFIED: 0 PLC ± - 1 PLC ± - 2 PLC ± - 3 PLC ± .010 4 PLC ± - ANGLES ± -		PRODUCT SPEC	-		
MATERIAL	BRASS	FINISH	SEE TABLE	NAME	TAB, FASTON, LOOSE PIECE, .250 SERIES
CUSTOMER DRAWING		WEIGHT	-	SIZE	A3
				CAGE CODE	00779
				DRAWING NO	C-41616
				RESTRICTED TO	-
				SCALE	4:1
				SHEET	1 OF 1
				REV	AB